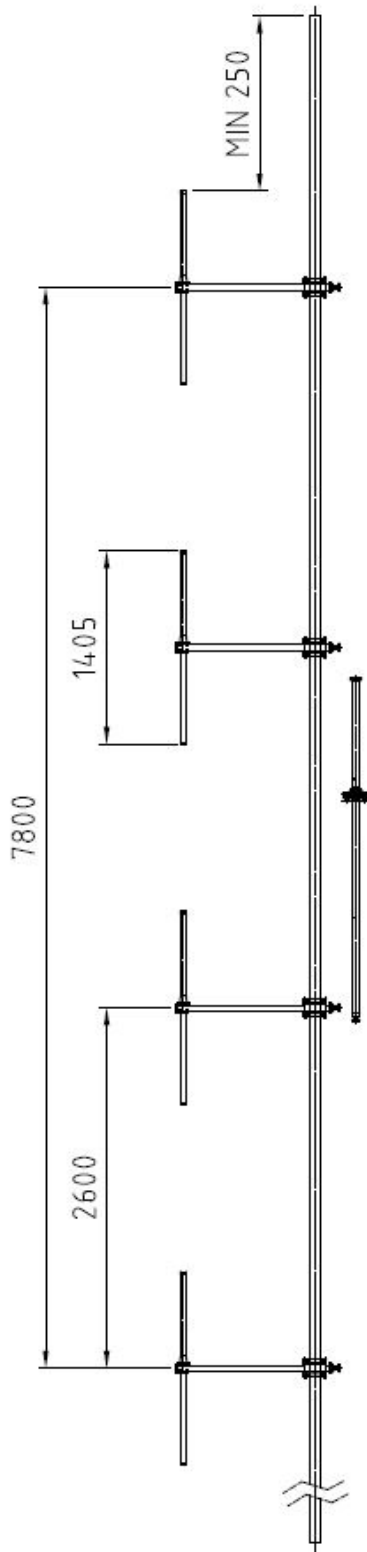


# Antenna system design with FM vertical dipoles



## Main information

Broad-band FM broadcasting antenna system

## Standard set

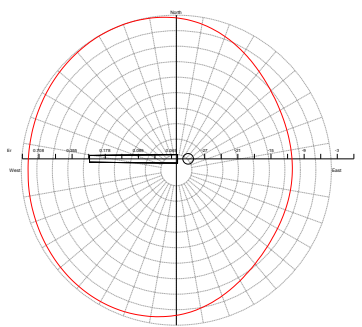
- FM splitter 1:4, EIA 1 5/8" to 7/16
- 4 FM vertical dipoles incl. mounting clamps
- 4 jumper cables 7/16m - 7/16m

Operating frequency	87.5-108 MHz
Polarization	Vertical
Bandwidth	20 MHz
Gain	8 dBd
Input connector	EIA 1 5/8"
Input impedance	50 Ohm
Input power(max.)	10 kW
VSWR	< 1.2
Weight	8kg dipole, 20kg splitter
Max. wind velocity	225 Km/h

## Options (on request):

- Vertical radiation pattern
- Input connector

Horizontal Diagram



Vertical Diagram

