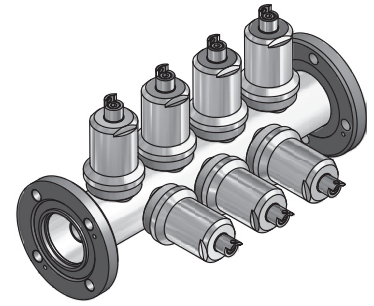
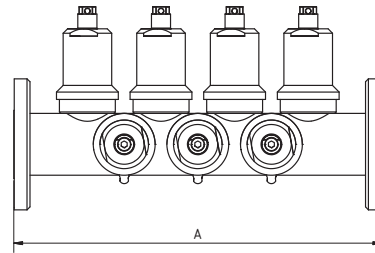
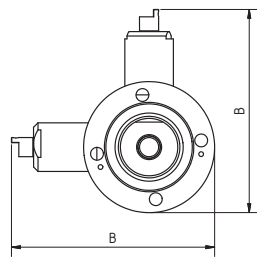


RF matching sections



RF matching sections LPR are designed for indoor and outdoor applications with flange connectors from EIA 7/8" to EIA 6 1/8" on both ends. One of the flanges is swivel type.

Matching sections are suitable for FM, VHF and UHF frequency range and analogue and/or digital solutions. In the body of each section are integrated seven elements for fine tuning. Protection by standard IP68 is achieved with protecting caps and seals on fine tuning elements. Additionally, short coupling elements with gasket and screws have to be used on input/output flanges. LPR matching sections are foreseen for pressurized applications (i.e. antenna systems) with typical air pressure 0,3 bar.



Features:

- Indoor & outdoor applications
- Air pressurized applications
- Frequency range FM, VHF & UHF bands
- Impedance 50 Ohm
- Temperature range -40°C to +80°C
- Return loss > 35 dB
- Insertion loss < 0,05 dB
- IP 68

Type	Code	Input and output connector	A (mm)	B (mm)
LPR EIA 7/8" - 1V		EIA 7/8"	350	122
LPR EIA 1 5/8" - 1V	44445	EIA 1 5/8"	250	138
LPR EIA 3 1/8" - 1V	44227	EIA 3 1/8"	385	199
LPR EIA 4 1/2" - 1V	44238	EIA 4 1/2"	385	228
LPR EIA 5" - 1V	44276	EIA 5"	385	249
LPR EIA 6 1/8" - 1V	44281	EIA 6 1/8"	385	277