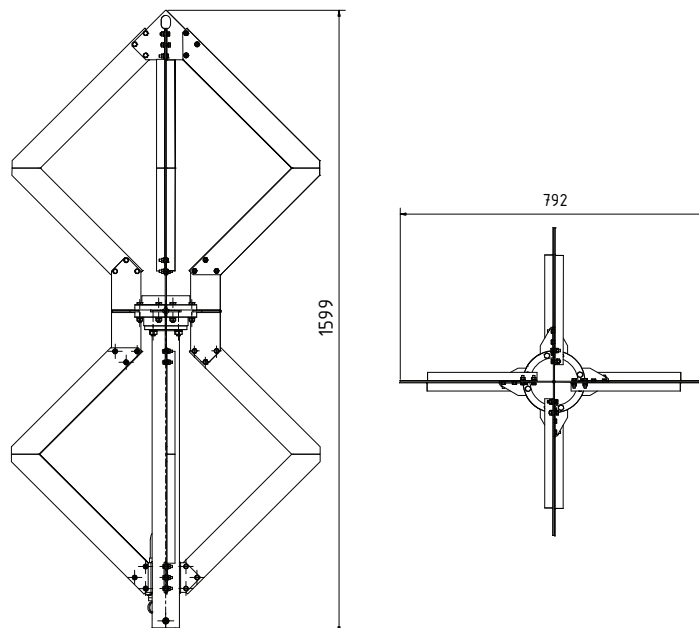


# VHF Omni-directional antenna

## TYPES

TA III/OMNI 1

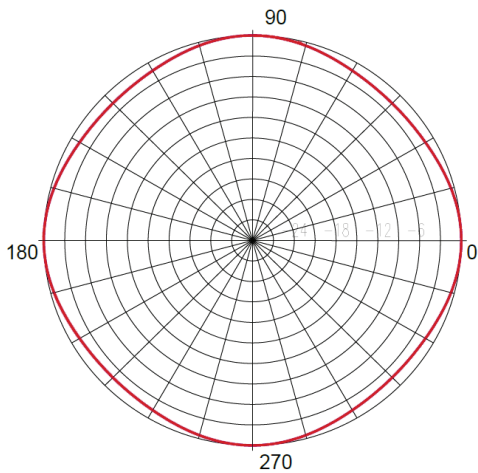
ELTI VHF antennas now include a NEW state-of-the-art VHF Omni-Directional Antenna with exceptional horizontal and vertical radiation patterns based on a very low weight design. TA III/OMNI 1 antenna has been developed for easy rooftop installation, as well to be top or side mounted on the tower for special requirements of dense city coverage.



## Specifications

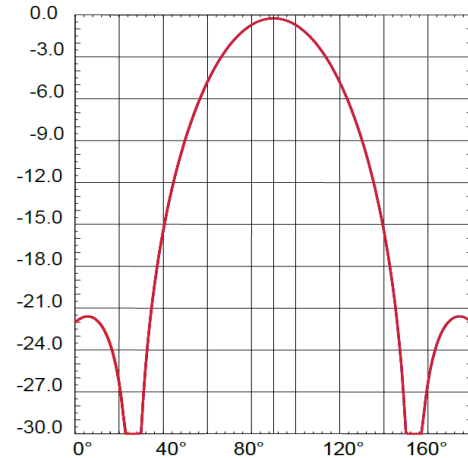
type TA III/OMNI 1	
Input connector	DIN 7/16 f
Impedance	50 Ω
VSWR	≤ 1,15 (23 dB)
Frequency range	174 - 240 MHz
Gain (ref. to half wave dipole)	1,9 dB
Polarization	Horizontal
Max. input power	500 W
Elevation pattern	25°
Material: - Radiating dipoles - Feeders	INOX copper and brass
Mounting	Flange with four holes for M10 mounting bolts Top or side mounting on the tower Additional supporting structure available (option)
Lightning protection	All metal parts of antenna are DC grounded
Weight	18 kg
Wind load	330 N at 160 km/h
Max. wind velocity	225 km/h
Dimensions	1.600 x 792 x 792 mm

### Horizontal radiation pattern



TA III/OMNI 1

### Vertical radiation pattern



TA III/OMNI 1