

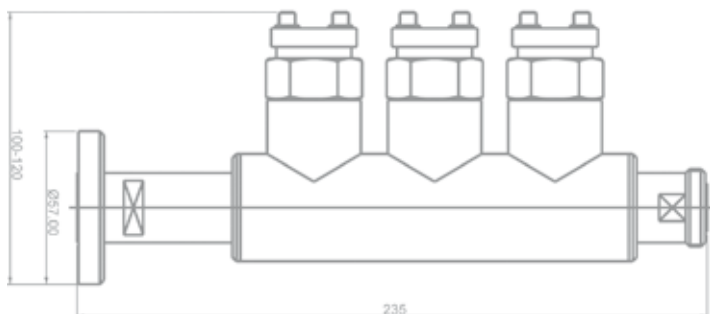
RF probes

Measuring probes for measurement of forward and reflected power.

Features

- Impedance 50 Ohm
- Input return loss > 30 dB
- Coupling return loss > 30 dB
- Directivity > 30 dB
- Temperature range -10 do +50 °C

TYPE	CODE	Input connector	Output connector
SND 7981/3-A	94812	DIN 7/16	EIA 7/8"
SND 7981/3-B	52025	DIN 7/16	EIA 7/8"
SND 8003*	50226	EIA 7/8"	EIA 7/8"
SND 8004*	50247	EIA 1 5/8"	EIA 1 5/8"
SND 8005*	54470	EIA 3 1/8"	EIA 3 1/8"



TYPE	CODE	Input connector	Output connector
SND 7811-B*	71521	EIA 7/8"	DIN 7/16
SND 7812-B*	68348	EIA 1 5/8"	EIA 1 5/8"
SND 7813-B*	68058	EIA 3 1/8"	EIA 3 1/8"
SND 7814-B*	94134	EIA 4 1/2"	EIA 4 1/2"
SND 7816-B*		EIA 6 1/8"	EIA 6 1/8"

*RF probes with EIA end do not include inners (coupling elements).
See details on page 134 in paragraph Short coupling elements with gaskets and screws.

