

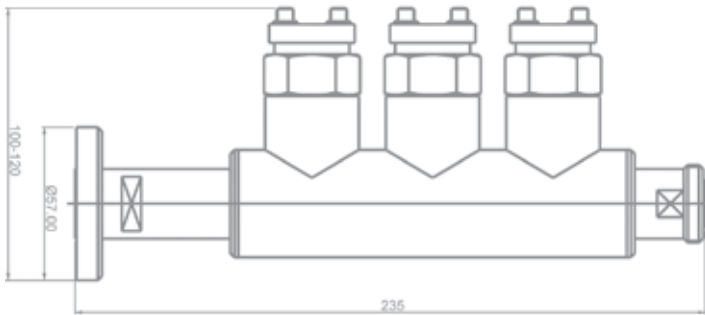
# RF probes

Measuring probes for measurement of forward and reflected power.

## Features

- Impedance 50 Ohm
- Input return loss > 30 dB
- Coupling return loss > 30 dB
- Directivity > 30 dB
- Temperature range -10 do +50 °C

TYPE	CODE	Input connector	Output connector
<b>SND 7981/3-A</b>	94812	DIN 7/16	EIA 7/8"
<b>SND 7981/3-B</b>	52025	DIN 7/16	DIN 7/16
<b>SND 8003*</b>	50226	EIA 7/8"	EIA 7/8"
<b>SND 8004*</b>	50247	EIA 1 5/8"	EIA 1 5/8"
<b>SND 8005*</b>	54470	EIA 3 1/8"	EIA 3 1/8"



TYPE	CODE	Input connector	Output connector
<b>SND 7811-B*</b>	71521	EIA 7/8"	EIA 7/8"
<b>SND 7812-B*</b>	68348	EIA 1 5/8"	EIA 1 5/8"
<b>SND 7813-B*</b>	68058	EIA 3 1/8"	EIA 3 1/8"
<b>SND 7814-B*</b>	94134	EIA 4 1/2"	EIA 4 1/2"
<b>SND 7816-B*</b>		EIA 6 1/8"	EIA 6 1/8"

\*RF probes with EIA end do not include inners (coupling elements).  
See details on page 130 in paragraph Short coupling elements with gaskets and screws.

